

**DR. BABASAHEB AMBEDKAR TECHNOLOGICAL UNIVERSITY,
LONERE – RAIGAD -402 103
Winter End Semester Examination – Dec.– 2019**

Branch: B. Tech Computer Engineering (Group B)
Subject: -Engineering Graphics ME104/ME204
Date: -24/12/2019

Sem.: - II
Marks:60
Time: -4 Hr.

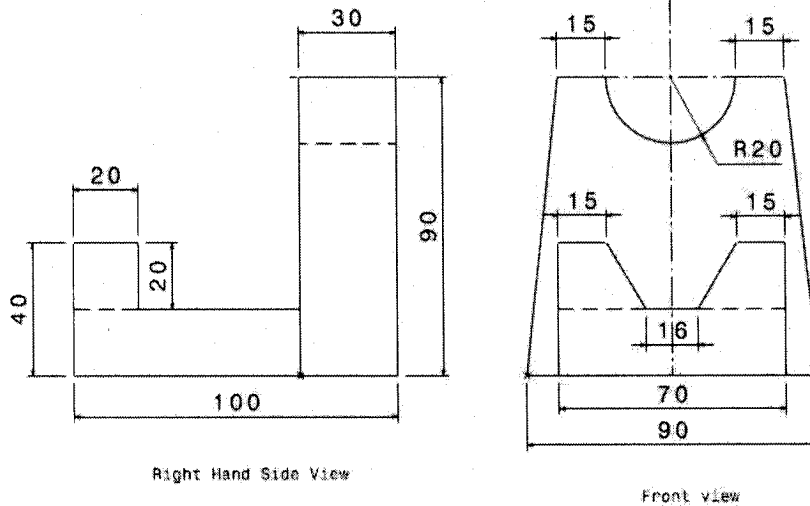
Instructions to the Students

1. Each question carries 12 marks.
2. Attempt any five questions of the following.
3. Illustrate your answers with neat sketches, diagram etc., wherever necessary.
4. If some part or parameter is noticed to be missing, you may appropriately assume it and should mention it clearly.
5. Retain all construction lines.

	(Marks)
Q.1. a.) Inscribe a regular Heptagon in a circle of diameter 80mm.	(6)
b.) Inscribe a Square in a circle of diameter of 70mm, Square is resting on one of its corner on ground	(6)
Q.2 Draw Front View in the Direction of X and Right-Hand Side view of the given object in fig Orthographic Projections.	(12)
Q.3. Draw the Front View & Top View of line "AB", if HT & VT of line is 20& 35 mm below XY and distance between them is 30mm. Point "A" is 20mm above HP and length of Front View of AB is 60mm.	(12)
Q.4. Draw the projections of Pentagonal pyramid side of base 25mm& height of axis 70mm if it is resting on one of its base edge such that axis is inclined at 30degrees to HP & the edge on which it is resting is inclined at 45 degrees to VP (Apex is away from the observer)	(12)

Q.5.A .Draw isometric drawing of given object in fig. Isometric Drawing

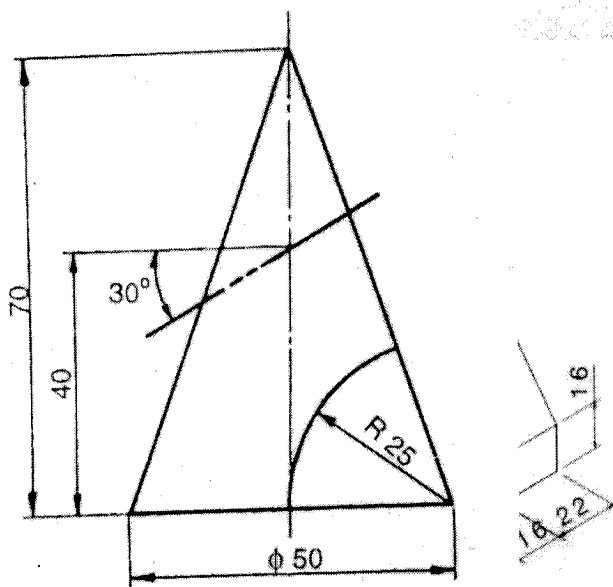
(12)



OR

B) A right circular cone of diameter 60mm & height of Axis 70mm is resting on ground on its base. A Cutting Plane perpendicular to HP & inclined at 45 degrees to V. P. cuts the cone by passing through a point at a distance of 10 mm from axis, draw the projections and true shape of the section. (12)

Q.6.Draw the Development of cone given in the fig. Development of Cone (12)



Development of Cone

Fig. Orthographic Projection